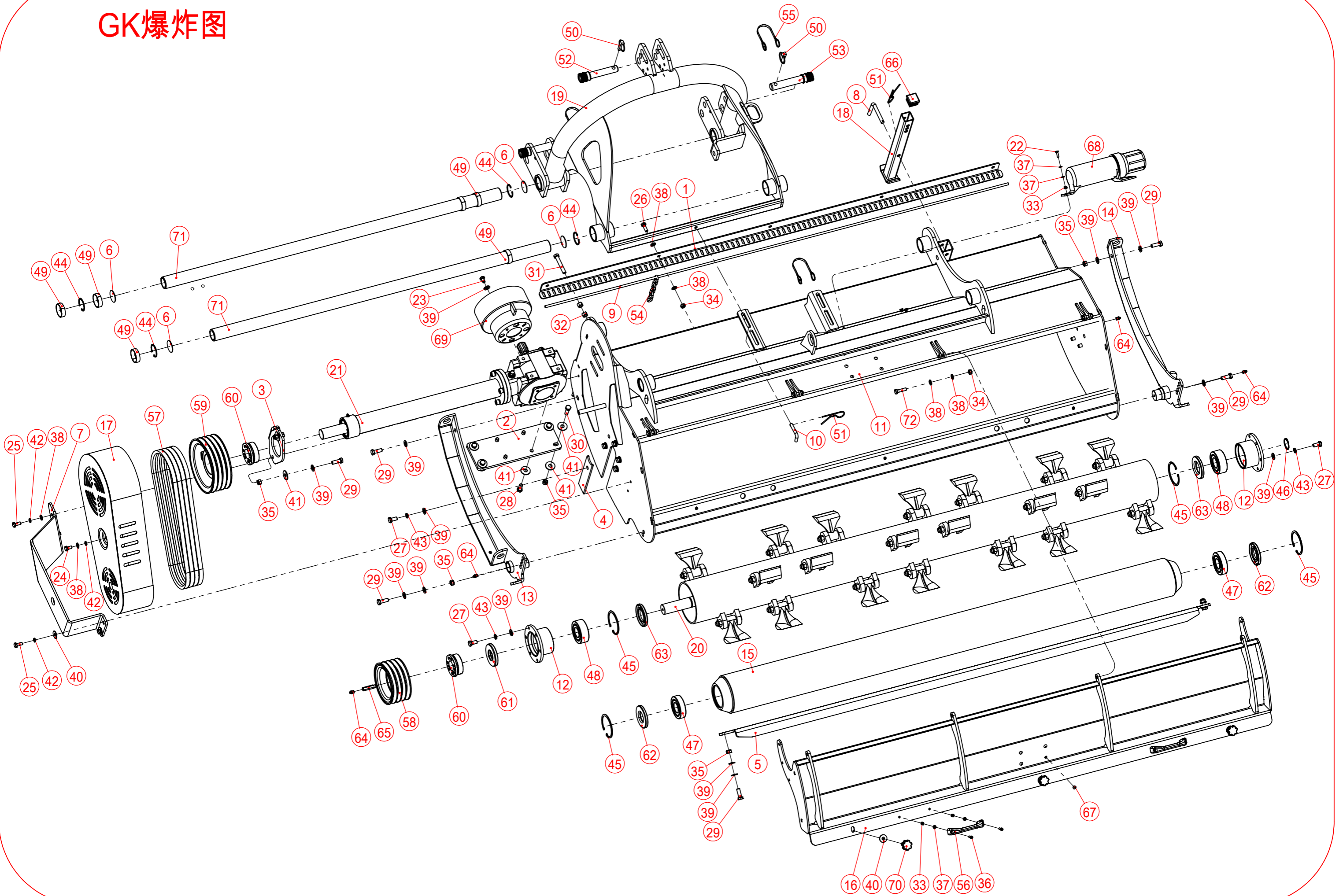


GK爆炸图



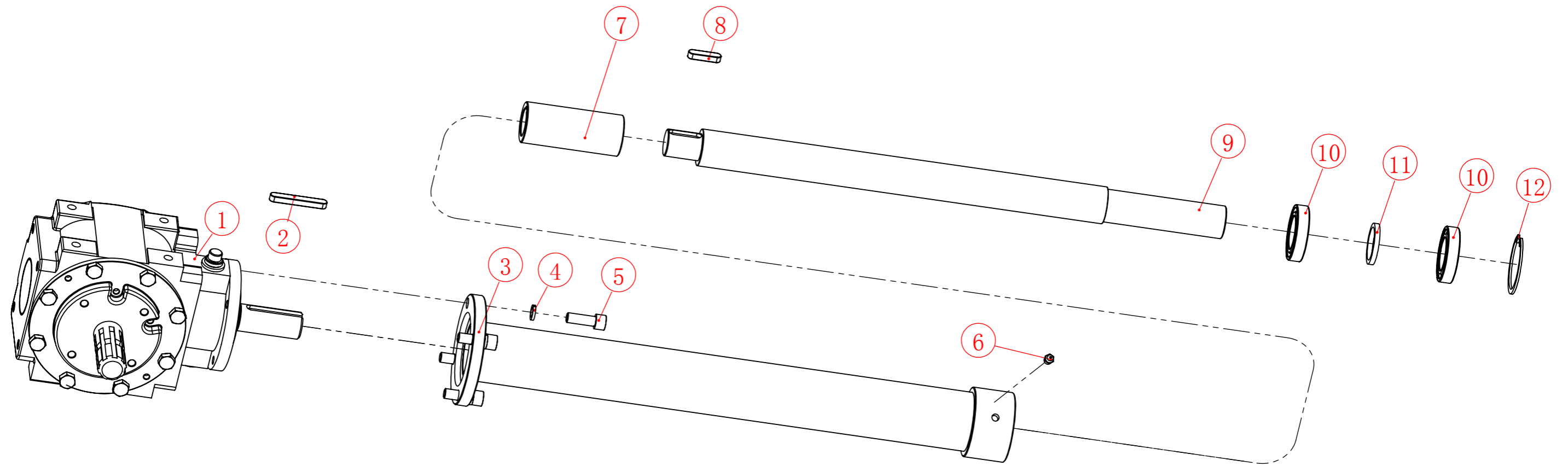
MENASOR160–MENASOR220 Whole assembly part list

Ser No.	E10 code	Part No.	Description	Qty	Remark
1	2000000067	GK160-102	Chain plate	1	MENASOR160
	2000000068	GK180-102	Chain plate	1	MENASOR180
	2000000069	GK200-102	Chain plate	1	MENASOR200
	2000000070	GK220-102	Chain plate	1	MENASOR220
2	2000000071	GK200-110	Gearbox mounting plate	1	
3	2000000072	GK200-105	Rotary shaft fixed plate	1	
4	2000000073	GK200-107	Guard plate	1	
5	2000000074	GK160-104	Mud scraper	1	MENASOR160
	2000000075	GK180-104	Mud scraper	1	MENASOR180
	2000000076	GK200-104	Mud scraper	1	MENASOR200
	2000000077	GK220-104	Mud scraper	1	MENASOR220
6	2000000114	GK200-108	Sealing plate	4	
7	2000000115	GK200-113	Anti-collision plate	1	
8	2010000017	EF175-116	Support pin	1	
9	2010000050	GK160-103	Chain pin	1	MENASOR160
	2010000051	GK180-103	Chain pin	1	MENASOR180
	2010000052	GK200-103	Chain pin	1	MENASOR200
	2010000053	GK220-103	Chain pin	1	MENASOR220
10	2010000101	DM170-101	L pin	1	
11	2020000160	GK160-011	Hood welded joint	1	MENASOR160
	2020000161	GK180-011	Hood welded joint	1	MENASOR180
	2020000162	GK200-011	Hood welded joint	1	MENASOR200
	2020000163	GK220-011	Hood welded joint	1	MENASOR220
12	2020000165	L. TRE220-015	Bearing seat welded joint (L/R)	2	
13	2020000166	GK200-019	Skid welded joint (R)	1	
14	2020000167	GK200-018	Skid welder joint (L)	1	
15	2020000168	GK160-012	Roller welded joint	1	MENASOR160
	2020000169	GK180-012	Roller welded joint	1	MENASOR180
	2020000170	GK200-012	Roller welded joint	1	MENASOR200
	2020000171	GK220-012	Roller welded joint	1	MENASOR220
16	2020000172	GK160-017	Panel welded joint	1	MENASOR160
	2020000173	GK180-017	Panel welded joint	1	MENASOR180
	2020000174	GK200-017	Panel welded joint	1	MENASOR200
	2020000175	GK220-017	Panel welded joint	1	MENASOR220
17	2020000176	GK200-016	Pulley cover welded joint	1	
18	2020000177	GK200-020	Support welded joint	1	
19	2020000178	GK200-013	Suspension welded joint	1	
20	2090000133		MENASOR160 blade shaft configuration	1	MENASOR160
	2090000132		MENASOR180 blade shaft configuration	1	MENASOR180

20	2090000134		MENASOR200 blade shaft configuration	1	MENASOR200
	2090000135		MENASOR220 blade shaft configuration	1	MENASOR220
21	2090000152		MENASOR transmission assembly (JCTT)	1	
22	3040100007	GB/T 5783-2000	Full thread of hexagonal head bolt M6×20	3	
23	3040100039	GB/T 5783-2000	Full thread of hexagonal head bolt M10×16	2	
24	3040100041	GB/T 5783-2000	Full thread of hexagonal head bolt M10×20	1	
25	3040100043	GB/T 5783-2000	Full thread of hexagonal head bolt M10×25	4	
26	3040100045	GB/T 5783-2000	Full thread of hexagonal head bolt M10×30	5	
27	3040100065	GB/T 5783-2000	Full thread of hexagonal head bolt M12×25	12	
28	3040100067	GB/T 5783-2000	Full thread of hexagonal head bolt M12×30	4	
29	3040100069	GB/T 5783-2000	Full thread of hexagonal head bolt M12×35	8	
30	3040100071	GB/T 5783-2000	Full thread of hexagonal head bolt M12×40	4	
31	3040100079	GB/T 5783-2000	Full thread of hexagonal head bolt M12×80	1	
32	3050100007	GB/T 41-2000	Hexagon nut M12	2	
33	3050500002	GB/T 889.1-2000	Lock nut M6	7	
34	3050500004	GB/T 889.1-2000	Lock nut M10	9	
35	3050500007	GB/T 889.1-2000	Lock nut M12	12	
36	3060100015	GB/T 70.1-2000	Inside hexagonal cylindrical head screw M6×20	4	
37	3080100003	GB/T 95-2002	Flat washer 6×1.6	10	
38	3080100006	GB/T 95-2002	Flat washer 10×2	21	
39	3080100007	GB/T 95-2002	Flat washer 12×2.5	28	
40	3080200009	GB/T 96.2-2002	Big gasket 10×2.5	5	
41	3080200010	GB/T 96.2-2002	Big gasket 12×3	14	
42	3080500008	GB/T 93-1987	Spring washer 10	5	
43	3080500009	GB/T 93-1987	Spring washer 12	16	
44	3080600031	GB 893.1-86	Circlip for hole--type A 48	4	
45	3080600050	GB 893.1-86	Circlip for hole--type A 90	4	
46	3080700026	GB 894.1-86	Circlip for shaft--type A 40	1	
47	3100200009	GB/T 281-94	Self-aligning ball bearing 1308	2	
48	3100200011	GB/T 281-94	Self-aligning ball bearing 2308	2	
49	3101100003	48x3x15	POM guiding ring 48x3x15	6	
50	3120400007	11*45	Lock pin-colored zinc	3	
51	3120400008	3.5	R pin-colored zinc	2	
52	3120500019	GK200-111	Upper suspension pin type II	1	
53	3120500020	GK200-112	Lower suspension pin type II	2	
54	3130100017	R. OS/J225-OS-126	Protective chain n6x20x28	72	MENASOR160
	3130100017	R. OS/J225-OS-126	Protective chain n6x20x28	81	MENASOR180
	3130100017	R. OS/J225-OS-126	Protective chain n6x20x28	90	MENASOR200
	3130100017	R. OS/J225-OS-126	Protective chain n6x20x28	99	MENASOR220
55	3130400002	GK200-106	Rope buckle	3	
56	3140100010	M6x130	Plastic handle M6x130	2	

57	3160300014	3D belt	BCRI BX-1295.4	4	
58	3160400022	SPB-167-4	Small pulley	1	
59	3160400024	SPB-219-4	Big pulley	1	
60	3160500007	Z6-40-80	Expanding sleeve 40x80	2	
61	3170100023	GB/T 13871.1-2007	TC oil sealing 40x90x12	1	
62	3170100036	GB/T 13871.1-2007	TC oil sealing 45x90x10	2	
63	3170100041	GB/T 13871.1-2007	TC oil sealing 50x90x10	2	
64	3170400005	G1/8	Grease nipple	4	
65	3170400009	GK200-114	Nipple joint	1	
66	3210200004	BCR140.114	Square pipe plug 41x41	1	
67	3210200015		Plug(used for MENASOR ordinary model)	8	
68	3210300013	Holder+Lid+Shim(No LOGO)	Manual holder	1	
69	3210300014	EF175-123	Dust cover	1	
70	3210500020	Φ40*M10*25	Heptagonal knob	3	
71	3230100010	GK200-101	Slider	2	
72	3040100047	GB/T 5783-2000	Full thread of hexagonal head bolt M10×40	4	

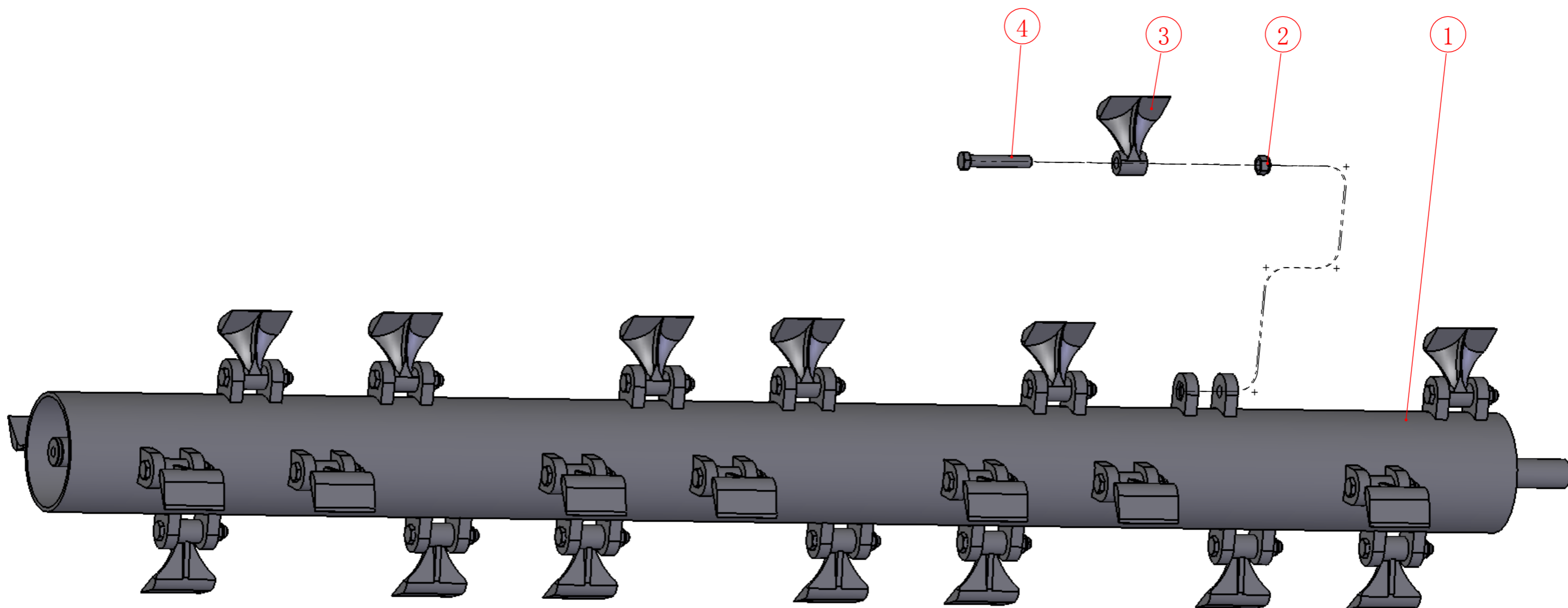
GK传动组件



MENASOR160-MENASOR220 Transmission assembly part list

Ser No.	E10 code	Part No.	Description	Qty	Remark
1	3160100014	XH50.300Z.02W	EF-50HP JCTT gearbox-black	1	
2	3090100013	GB / T1096-2003	Ordinary flat key type A 10×70	1	
3	2020000164	GK200-014	Rotary Pipe Welding	1	
4	3080500009	GB/T 93-1987	Spring washer 12	4	
5	3060100056	GB/T 70.1-2000	Inside hexagonal cylindrical head screw M12×35	4	
6	3170400005	G1/8	Grease nipple	1	
7	2010000016	EF175-105	Shaft sleeve	1	
8	3090100009	GB / T1096-2003	Ordinary flat key type A 10×40	1	
9	2010000088	GK200-122	Connecting shaft (JCTT gearbox)	1	
10	3100100026	GB/T 276-94	Deep groove ball bearing 6008-RZ	2	
11	2000000086	L. TRE220-122	Spacer bushing	1	
12	3080600041	GB 893.1-86	Circlip for hole type A 68	1	

GK普通刀轴+锄头刀片 (标配)



MENASOR160–MENASOR220 ordinary blade shaft+hammer blade part list

Ser No.	E10 code	Part No.	Description	Qty	Remark
1	2020000179	GK160-015	Blade shaft welded joint	1	MENASOR160
	2020000180	GK180-015	Blade shaft welded joint	1	MENASOR180
	2020000181	GK200-015	Blade shaft welded joint	1	MENASOR200
	2020000182	GK220-015	Blade shaft welded joint	1	MENASOR220
2	3050500009	3050500009	Lock nut M16	22	MENASOR160
	3050500009	3050500009	Lock nut M16	24	MENASOR180
	3050500009	3050500009	Lock nut M16	26	MENASOR200
	3050500009	GB/T 889.1-2000	Lock nut M16	28	MENASOR220
3	3220100025	EFB175-139	Hammer blade	22	MENASOR160
	3220100025	EFB175-139	Hammer blade	24	MENASOR180
	3220100025	EFB175-139	Hammer blade	26	MENASOR200
	3220100025	EFB175-139	Hammer blade	28	MENASOR220
4	3040300061	GB/T 5782-2000	Half-threaded hexagonal bolts M16×95(10.9 level)blacken	22	MENASOR160
	3040300061	GB/T 5782-2000	Half-threaded hexagonal bolts M16×95(10.9 level)blacken	24	MENASOR180
	3040300061	GB/T 5782-2000	Half-threaded hexagonal bolts M16×95(10.9 level)blacken	26	MENASOR200
	3040300061	GB/T 5782-2000	Half-threaded hexagonal bolts M16×95(10.9 level)blacken	28	MENASOR220